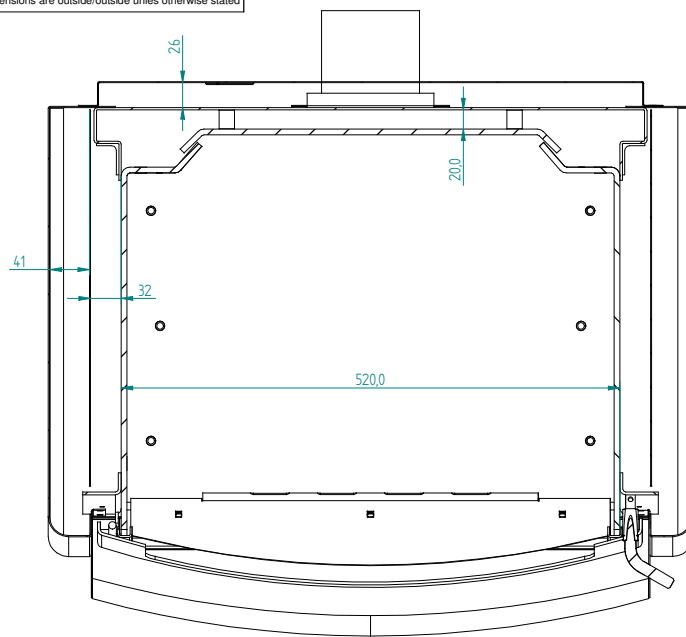
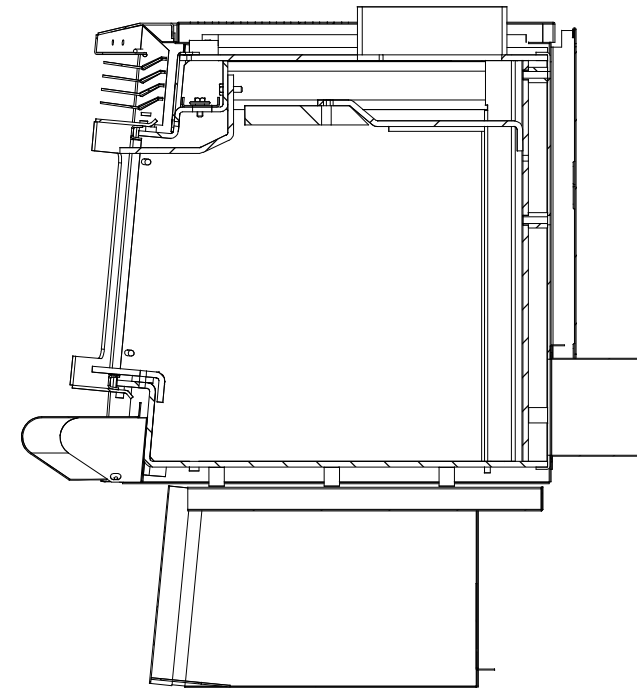
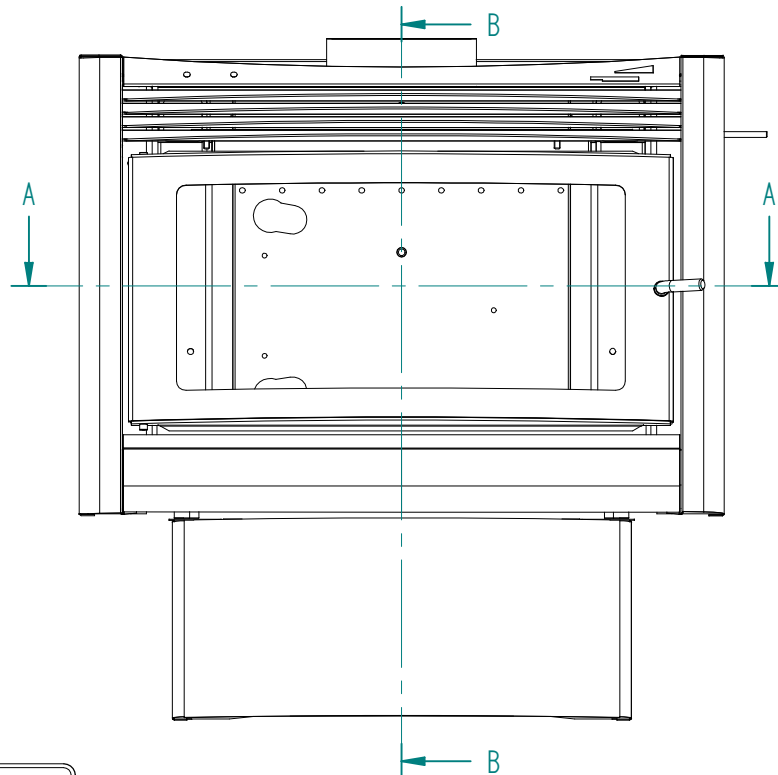
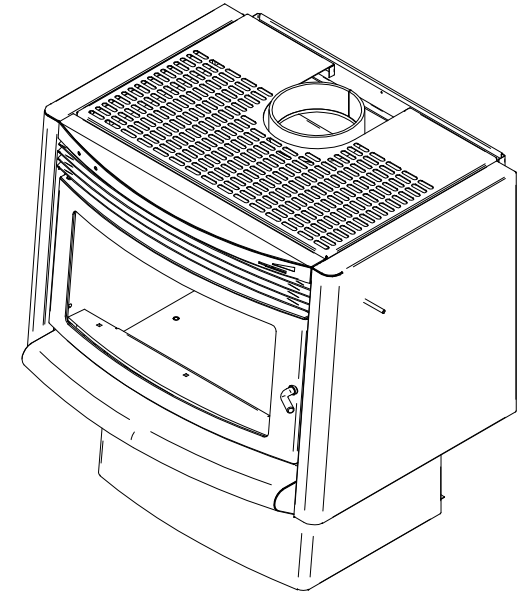


PART NUMBER : MSPFE ASSEMBLY			REVISION LEVEL :
Amendment	Date	By	

Tolerances Unless Specified
 Linear Dimensions ± 0.5 mm
 Angles $\pm 1^\circ$



SECTION A-A



SECTION B-B

Weight = 0.000 kg