

This drawing is the Property of METAL FAB INDUSTRIES LTD. All dimensions are outside/outside unless otherwise stated

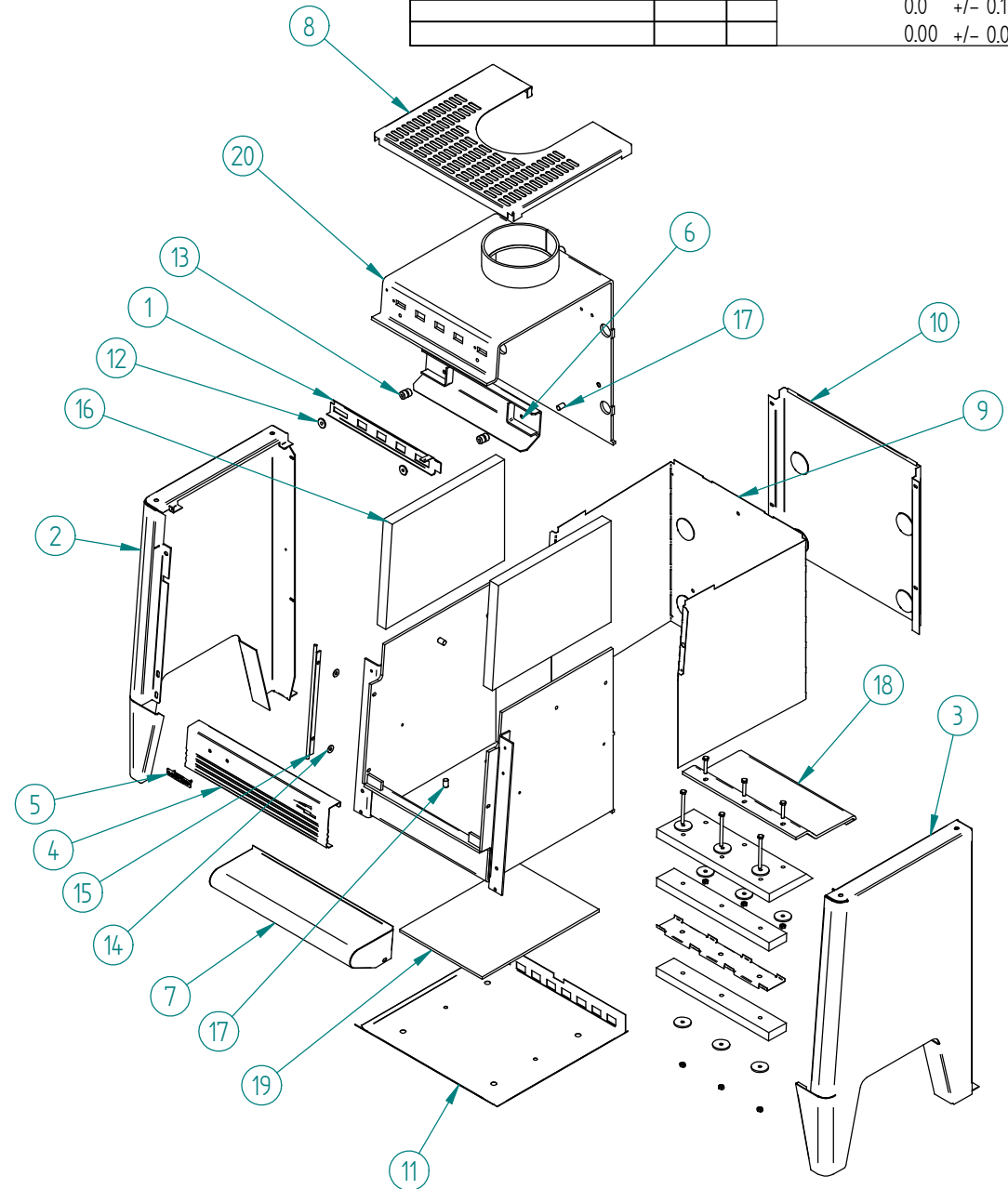
Item Number	Document Number	Title	Material	Quantity
1	MTT00036	MTT AIR SLIDE	Cold Roll 1.6mm	1
2*	MTR00006	MTR SIDE PANEL L/H	Enamel 2.0mm	1
3*	MTR00007	MTR SIDE PANEL R/H	Enamel 2.0	1
4*	MTT00016	MTT AIR SLIDE COVER	Enamel 1.2mm	1
5	MET00740	METRO BADGE	Purchased	1
6*	MTTAC102	TINY TRAD AIR DEFLECTOR ASSY		1
7*	MTTAC011	MTT ASH SHELF SUB ASSY.		1
8	MTT00003	MTT TOP GRILL	Enamel 1.6 mm	1
9*	MTT00038	MET HEAT SHIELD	Zintec .8 mm	1
10*	MTT00012	MTT REAR PANEL	Zintec	1
11	MTT00176	MTT BASE HEAT SHIELD	Zintec .8 mm	1
12	MIC00083	LOGAIRE METRO AIR SLIDE SPACER	7/8" BMS FREE MACHINING	2
13	HBA00129	HBA AIR DEFLECTOR SPACER	16MM BMS FREE MACHINING	2
14	FSFLATWSHR5MM	FLAT WASHER 5 MM	Purchased	2
15	METAC190	MET DOOR HINGE SUB ASSY.		1
16	MET00354	METRO CONCRETE BRICK	CONCRETE BRICK	2
17	MET00075	MET BRICK RETAINER PIN	10MM BMS FREE MACHINING	9
18*	MTTAC109	MTT BAFFLE ASSEMBLY		1
19*	MTT00742	MTT BASE PROMATE	PROMATE	1
20	MTTAC004	MTT FIRE BOX		2

PART NUMBER : MTT ASSEMBLY

REVISION LEVEL :

Amendment	Date	By

Tolerances Unless Specified
 Decimal Places 0 +/- 0.5
 0.0 +/- 0.1
 0.00 +/- 0.05



Weight = 0.000 kg

METAL FAB INDUSTRIES LTD
 38 HARRIS ROAD, EAST TAMAKI, AUCKLAND, NEW ZEALAND
 Ph 09 274 8265, Fax 09 274 8472, Email : engdept@metalfab.co.nz

Customer : PIONEER	Drawing No:	Date : 11/07/05	Drawn By:MR	Checked By :
Part Name : MTT ASSEMBLY	Material :	Finish : Natural		

This drawing is the Property of METAL FAB INDUSTRIES LTD. All dimensions are outside/outside unless otherwise stated

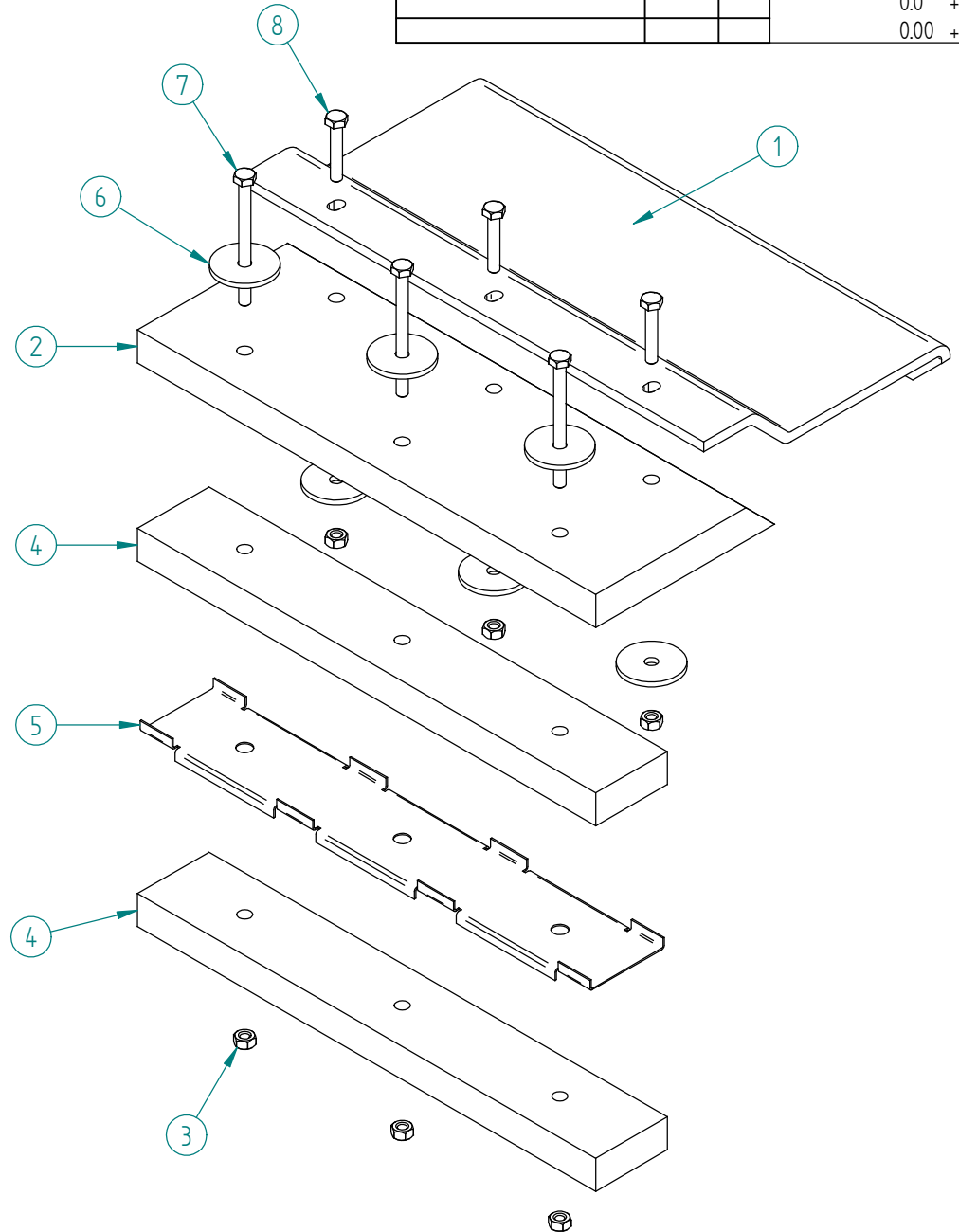
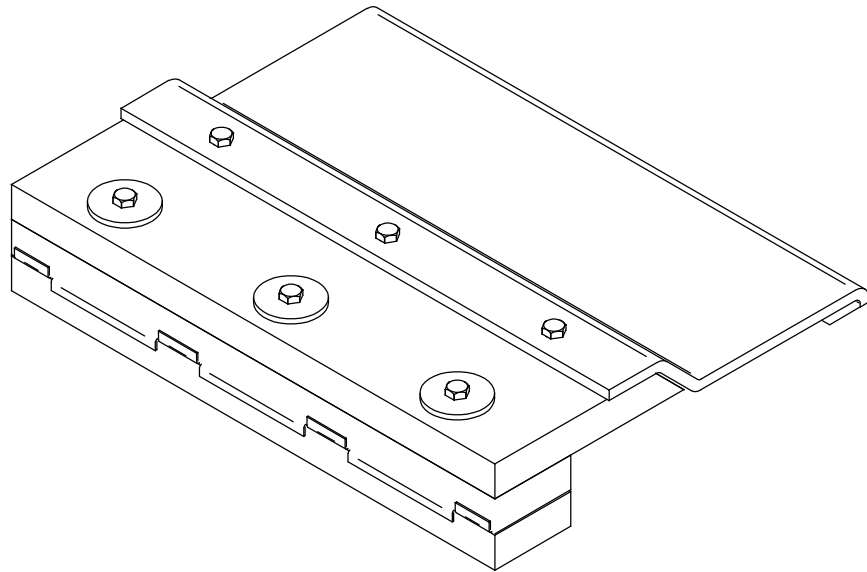
Item Number	Document Number	Title	Material	Quantity
1	MTT00109	MTT BAFFLE	Hot Rolled 6.0mm	1
2	MTT00741	MTT PROMATE BAFFLE	PROMATE	1
3	F-M6-HN-ZP	HEX NUT M6 ZP	Purchased	6
4	MTT00745	MTT NARROW PROMATE BAFFLE		2
5	MTT00222	MTT BAFFLE SUPPORT	Stainless Steel 0.9mm	1
6	MET00035	MET BAFFLE WASHER	Cold Rolled 3.0 mm	9
7	FSBOLTM6X75ZP	bolt m6 x 35 zinc plated	Purchased	3
8	FSBOLTM6X35ZP	bolt m6 x 35 zinc plated	Purchased	3

PART NUMBER : MTT ASSEMBLY

REVISION LEVEL :

Amendment	Date	By

Tolerances Unless Specified
 Decimal Places 0 +/- 0.5
 0.0 +/- 0.1
 0.00 +/- 0.05



Weight = 0.000 kg

METAL FAB INDUSTRIES LTD
 38 HARRIS ROAD, EAST TAMAKI, AUCKLAND, NEW ZEALAND
 Ph 09 274 8265, Fax 09 274 8472, Email : engdept@metalfab.co.nz

Customer : PIONEER	Drawing No:	Date : 11/07/05	Drawn By: MR	Checked By :
Part Name : MTT ASSEMBLY	Material :	Finish : Natural		