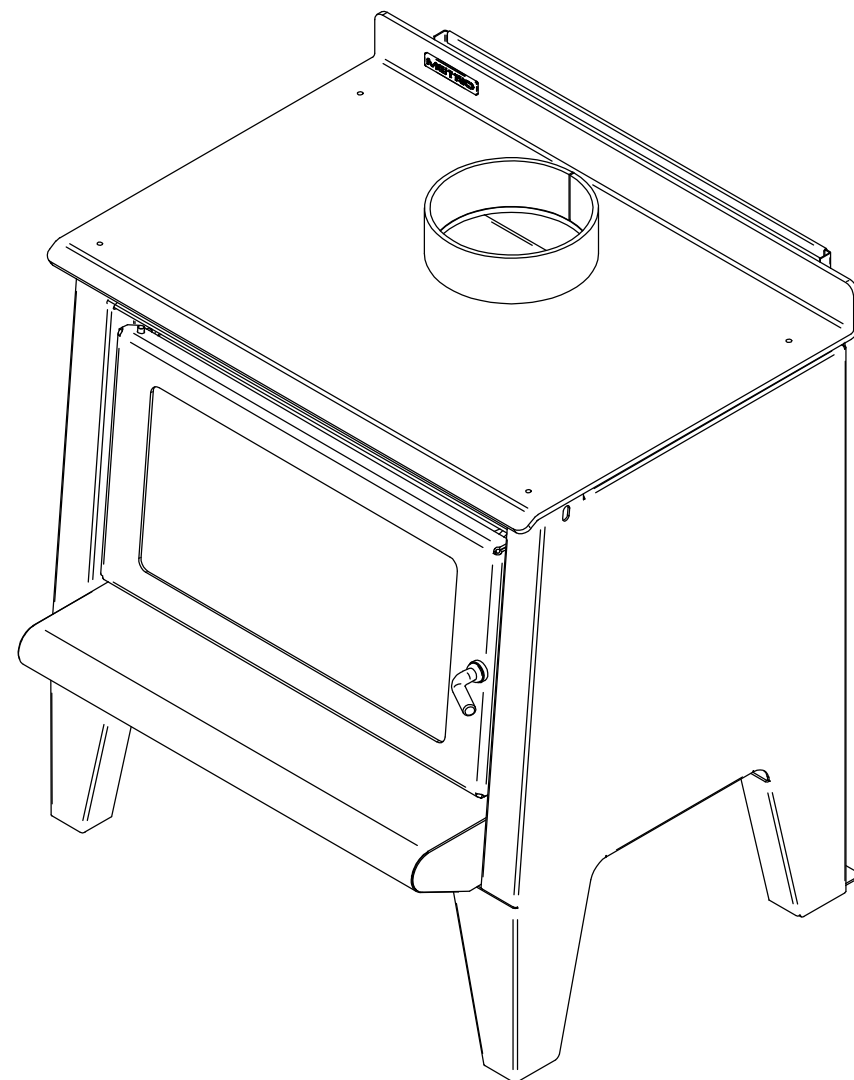


Item Number	Document Number	Title	Material	Quantity
1*	MWRAC004	MWR FIRE BOX		1
2*	MET00135	MET WETBACK COVER PLATE	Hot Rolled 3.0 mm	4
3*	MET00075	MET BRICK RETAINER PIN	10MM BMS FREE MACHINING	8
4*	MWR00006	MWR SIDE PANEL L/H	Cold Rolled	1
5*	MWRAC011	MWR ASH SHELF		1
6*	MWR00013	MWR SUPPORT BAR	Cold Rolled 2.0mm	1
7*	MWR00007	MWR SIDE PANEL R/H	Cold Rolled	1
8*	MET00129	FIREBOX BUSH	Steel	1
9*	MWR00176	MWR BASE HEAT SHIELD	Zintec 1.0 mm	1
10*	MWR00038	MWR HEAT SHIELD	Zintec 1.0mm	1
11*	MET00109	MET BAFFLE	HOT ROLL 6.0mm	1
12*	MWR00012	MWR REAR HEAT SHIELD	ZINTEC 1.0MM	1
13*	MWR00017	LOUVRE		3
14*	MWR00036	MWR AIR SLIDE	Cold Rolled 1.6mm	1
15*	MIC00083	LOGAIRE METRO AIR SLIDE SPACER	7/8" BMS FREE MACHINING	2
16*	MWRAC730	MWR FINAL DOOR ASSEMBLY		1
17*	FSFLATWSHR5MM	FLAT WASHER 5 MM	Purchased	2
18*	METAC190	MET DOOR HINGE SUB ASSY.		1
19*	FSBOLTM6X35ZP	bolt m6 x 35 zinc plated	Purchased	5
20*	MWRAC102	MWR AIR DEFLECTOR ASSEMBLY		1
21*	MET00741	MET PROMATE BAFFLE	PROMATE	1
22*	MET00354	METRO CONCRETE BRICK	CONCRETE BRICK	2
23*	MET00740	METRO BADGE		1
24*	MET00035	MET BAFFLE WASHER	Cold Rolled 3.0 mm	3
25*	F-M6-HN-ZP	HEX NUT M6 ZP	Purchased	3
26*	MET00742	MET PROMATE BOTTOM BAFFLE	PROMATE	1

PART NUMBER : MWR ASSEMBLY		
Amendment	Date	By

REVISION LEVEL :		
Tolerances Unless Specified		
Decimal Places	0	+/- 0.5
	0.0	+/- 0.1
	0.00	+/- 0.05



METAL FAB INDUSTRIES LTD

38 HARRIS ROAD, EAST TAMAKI, AUCKLAND, NEW ZEALAND
Ph 09 274 8265, Fax 09 274 8472, Email : engdept@metalfab.co.nz

Customer : PIONEER	Drawing No:	Date : 05/11/04	Drawn By: MR	Checked By :
Part Name: MWR ASSEMBLY	Material :			Finish :