

This drawing is the Property of METAL FAB INDUSTRIES LTD. All dimensions are outside/outside unless otherwise stated

Item Number	Document Number	Title	Material	Quantity
1*	MWREAC004	MWRE FIRE BOX ASSEMBLY		1
2	MET00075	MET BRICK RETAINER PIN	10MM BMS FREE MACHINING	8
3*	MET00135	MET WETBACK COVER PLATE	Hot Rolled 3.0 mm	4
4	MWR00006	MWR SIDE PANEL L/H	Cold Rolled	1
5	MWR00007	MWR SIDE PANEL R/H	Cold Rolled	1
6*	MWR00176	MWR BASE HEAT SHIELD	Zintec 1.0 mm	1
7	MWRAC011	MWR ASH SHELVE		1
8	MWR00013	MWR SUPPORT BAR	Cold Rolled 2.0mm	1
9	MWR00038	MWR HEAT SHIELD	Zintec 1.0mm	1
10	MET00129	FIREBOX BUSH	Steel	1
11	MWR00036	MWR AIR SLIDE	Cold Rolled 1.6mm	1
12	MIC00083	LOGAIRE METRO AIR SLIDE SPACER	7/8" BMS FREE MACHINING	2
13	METAC190	MET DOOR HINGE SUB ASSY.		1
14	MWRAC730	MWR FINAL DOOR ASSEMBLY		1
15	MWR00012	MWR REAR HEAT SHIELD	ZINTEC 10MM	1
16	MWR00017	LOUVRE		3
17	MWRAC102	MWR AIR DEFLECTOR ASSEMBLY		1
18	F-M6X35-HB-SC-ZP	BOLT M6 x 35 ZP	Purchased	5
19	MET00109	MET BAFFLE	HOT ROLL 6.0mm	1
20	MET00741	MET PROMATE BAFFLE	Promate	1
21*	MET00354	METRO CONCRETE BRICK	CONCRETE BRICK	2
22	METE00740	METRO ECO BADGE	Purchased	1
23	MET00035	MET BAFFLE WASHER	Cold Rolled 3.0 mm	3
24	F-M6-HN-ZP	HEX NUT M6 ZP	Purchased	3
25	MET00742	MET PROMATE BOTTOM BAFFLE	PROMATE	1
26*	HBA00118	HBA BRICK RETAINER	Hot Roll 3.0mm	1
27*	MWRE00118	MWR BRICK RETAINER SPACER	Hot Rolled 3.0mm	1
28*	HBA00129	HBA AIR DEFLECTOR SPACER	16MM BMS FREE MACHINING	2

Weight = 0.000 kg

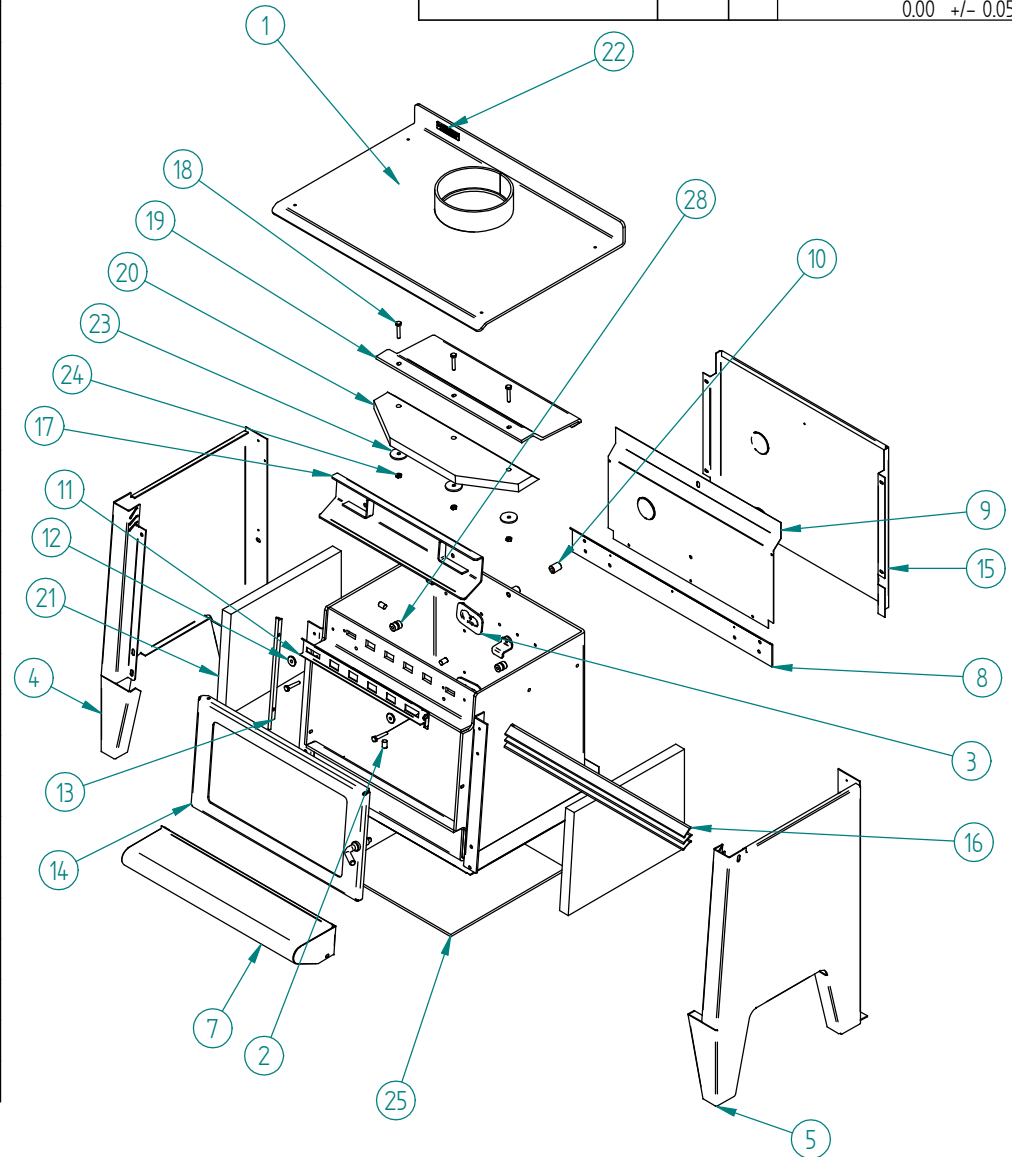
METAL FAB INDUSTRIES LTD
 38 HARRIS ROAD, EAST TAMAKI, AUCKLAND, NEW ZEALAND
 Ph 09 274 8265, Fax 09 274 8472, Email : engdept@metalfab.co.nz

PART NUMBER : MWRE ASSY

Amendment	Date	By

REVISION LEVEL :

Tolerances Unless Specified
 Decimal Places 0 +/- 0.5
 0.0 +/- 0.1
 0.00 +/- 0.05



Customer : PIONEER	Drawing No:	Date : 09/06/06	Drawn By: MR	Checked By :
Part Name : MWRE ASSEMBLY		Material :	Finish : Natural	