	MODEL	WANAKA HEARTLAND (SOFTWOOD)
---	--------------	--

INSTALLATION SPECIFICATION SHEET

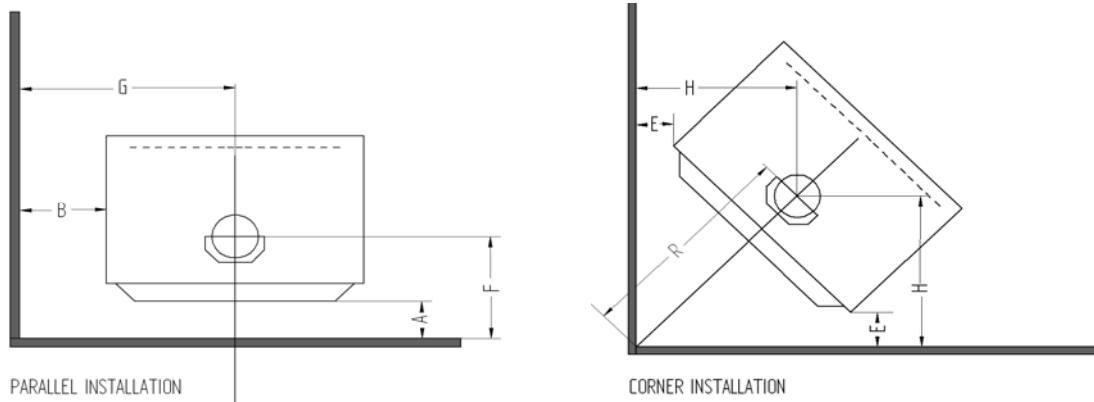
These instructions must be used in conjunction with the 'General Installation Instructions' for MASPORT wood fires.

CLEARANCE REQUIREMENTS

This fire has been tested and complies to the Australian/New Zealand Standard AS/NZS 2918:2001 and all installations must be in accordance with the minimum clearances to combustibles indicated in these instructions.

The minimum clearances to combustibles may be reduced if the combustible walls are shielded with an approved non-combustable material. Details of suitable materials and appropriate clearance reduction factors are present in Section 3 of AS/NZS 2918:2001.

POSITIONING YOUR FREE-STANDING WOODFIRE



NEW ZEALAND

MINIMUM DISTANCES TO HEAT SENSITIVE WALLS (mm)

MODEL	FLUE HEAT SHIELD	A	B	E	F	G	H	R§
WANAKA	MASPORT /LOGAIRE DOUBLE SKIN S/S POLISHED 1200mm HIGH SHIELD WITH AIR DEFLECTOR	90	285	100	305	635	464	656
HEARTLAND								

AUSTRALIA

MINIMUM DISTANCES TO HEAT SENSITIVE WALLS (mm)

MODEL	FLUE HEAT SHIELD	A	B	E	F	G	H	R§
		-	-	-	-	-	-	-
		-	-	-	-	-	-	-
		-	-	-	-	-	-	-

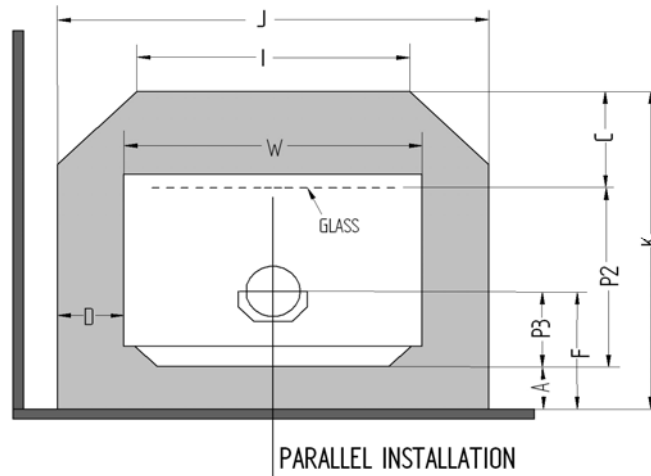
§ Valid only when the room walls are at 90° to each other.

‡ Note: Clearances are for fire hazard only. For durability of finishes or surfaces you should contact the relevant manufacturer for their specification. Glen Dimplex Australasia Ltd accepts no responsibility for the deterioration of surfaces or finishes.

PRT. NO.	992138
DATE:	30.10.2015

FLOOR PROTECTOR (Hearth) REQUIREMENTS PARALLEL INSTALLATION

MINIMUM FLOOR PROTECTOR DIMENSIONS IN mm



DIMENSIONS IN THE TABLE ARE VALID ONLY WHEN THE FIRE IS EXACTLEY AT ITS MINIMUM ALLOWABLE WALL CLEARANCE.

NEW ZEALAND

MODEL	Flue Shield	Floor Protector height	A#	C#	D	F	I	J	K#	P2	P3	W	Floor Protector Type Ø
WANAKA	LDS		90	300	100	305	600	900	944	554	215	700	AFP
HEARTLAND													

LDS = MASPORT / LOGIARE DOUBLE SKIN S/S POLISHED 1200 mm HIGH SHIELD
WITH AIR DEFLECTOR
AFP = ASH FLOOR PROTECTOR

AUSTRALIA - ALL WITH FLUE HEATSHIELD

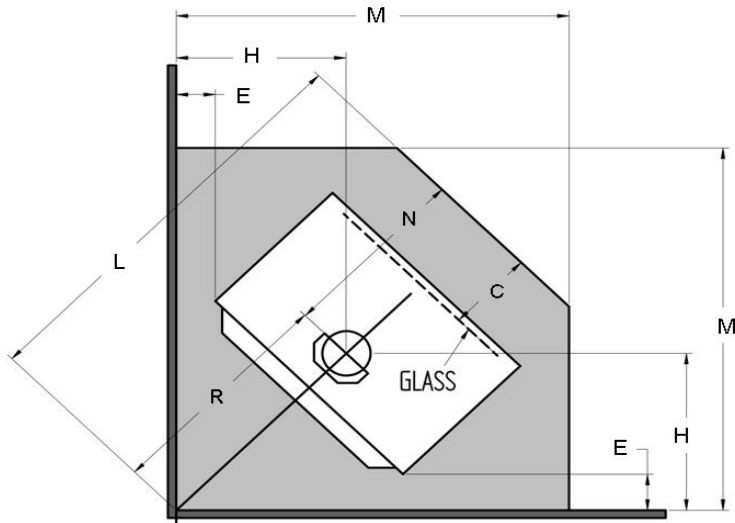
MODEL	Flue Shield	Floor Protector height	A#	C#	D	F	I	J	K#	P2	P3	W	Floor Protector Type Ø
	*		-	-	-	-	-	-	-	-	-	-	-
	**		-	-	-	-	-	-	-	-	-	-	-
			-	-	-	-	-	-	-	-	-	-	-

* FLOMET UNIVERSAL FLUE SYSTEM
** AHD SPECIAL INSULATED FLUE KIT

Ø for minimum constructional requirements see general installation instructions.
Valid only when the fire is exactly at its minimum allowable wall clearance.

FLOOR PROTECTORS (Hearth) REQUIREMENTS CORNER INSTALLATION

MINIMUM FLOOR PROTECTOR DIMENSIONS IN mm



DIMENSIONS IN THE TABLE ARE VALID ONLY WHEN THE FIRE IS EXACTLEY AT ITS MINIMUM ALLOWABLE WALL CLEARANCE.

NEW ZEALAND

MODEL	Flue Shield	Floor Protector Distance above Floor	C	E	H#	L#	M#	N	R#	FLOOR PROTECTOR TYPE
WANAKA	LDS		300	100	464	1295	1128	639	656	AFP
HEARTLAND										

LDS = MASPORT / LOGAIRE DOUBLE SKIN S/S POLISHED 1200 mm HIGH SHIELD
WITH AIR DEFLECTOR
AFP = ASH FLOOR PROTECTOR

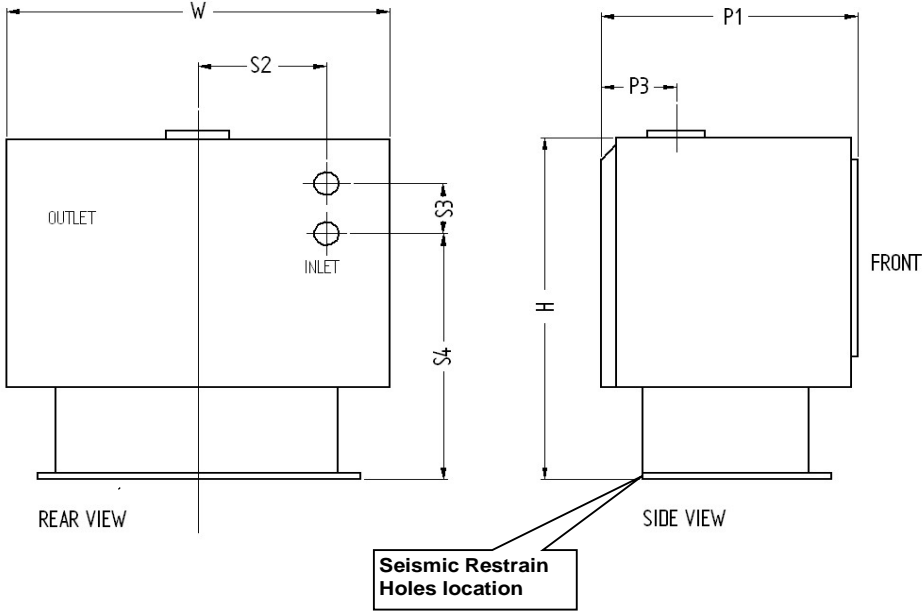
AUSTRALIA

MODEL	Flue Shield	Floor Protector Distance above Floor	C	E	H#	L#	M#	N	R#	FLOOR PROTECTOR TYPE
			-	-	-	-	-	-	-	-
			-	-	-	-	-	-	-	-

* FLOMET UNIVERSAL FLUE SYSTEM

** AHD SPECIAL INSULATED FLUE KIT

FREE STANDING FIRE DIMENSIONS

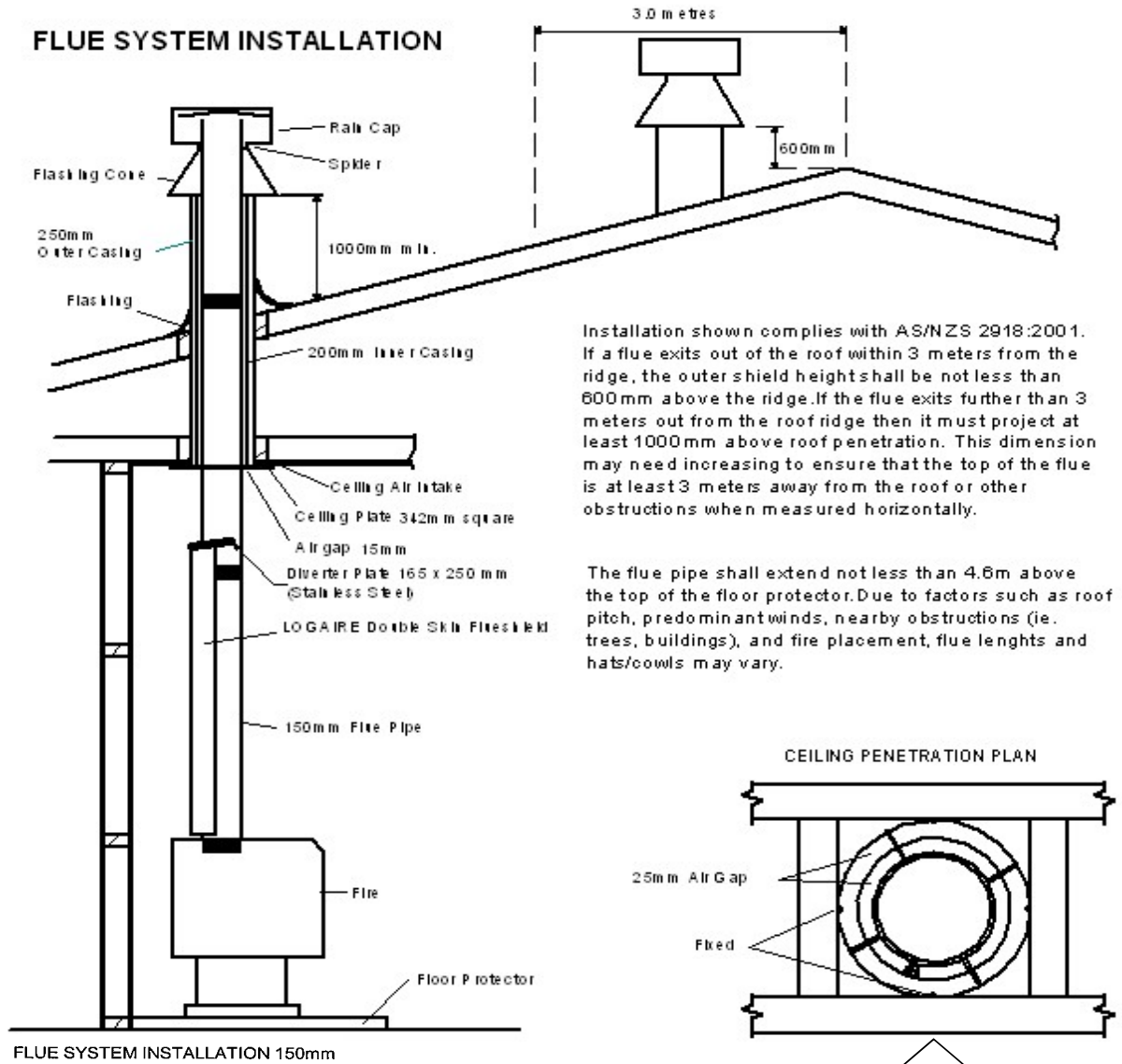


MODEL		P1	P3	H	W	S1	S2	S3	S4
WANAKA		611	215	745	700	-	200	120	396
HEARTLAND									

Seismic Restrain - In New Zealand and some part of Australia, it is required that the wood fire and floor protector are secured to prevent shifting in the event of an earthquake. This is best done by fastening the wood fire right through the protector to the floor, using two screws not less than 12 guage or the equivalent size of coach bolts or toggle fasteners.

THIS FLUE INSTALLATION DIAGRAM BELOW IS VALID FOR NZ INSTALLATIONS ONLY. FOR INSTALLATIONS IN AU PLEASE REFER TO SPECIFIC FLUE INSTALLATION SPECIFICATIONS SUPPLIED BY FLUE MANUFACTURER.

FLUE SYSTEM INSTALLATION



NOTE: IN ADDITION TO MASPORT DOUBLE FLUE SHIELD, YOU HAVE TO FIT THE 165 X 250 mm DIVERTER PLATE SUPPLIED WITH THE FIRE. THIS FITS ON TOP OF THE TOP BRACKET OF THE SHIELD.

Above plan is valid only for flue manufactured by Glen Dimplex New Zealand Ltd or sheetmetal Fabricated Products Ltd, Auckland, New Zealand. For other products, use specific flue installation specifications supplied by the manufacturer.