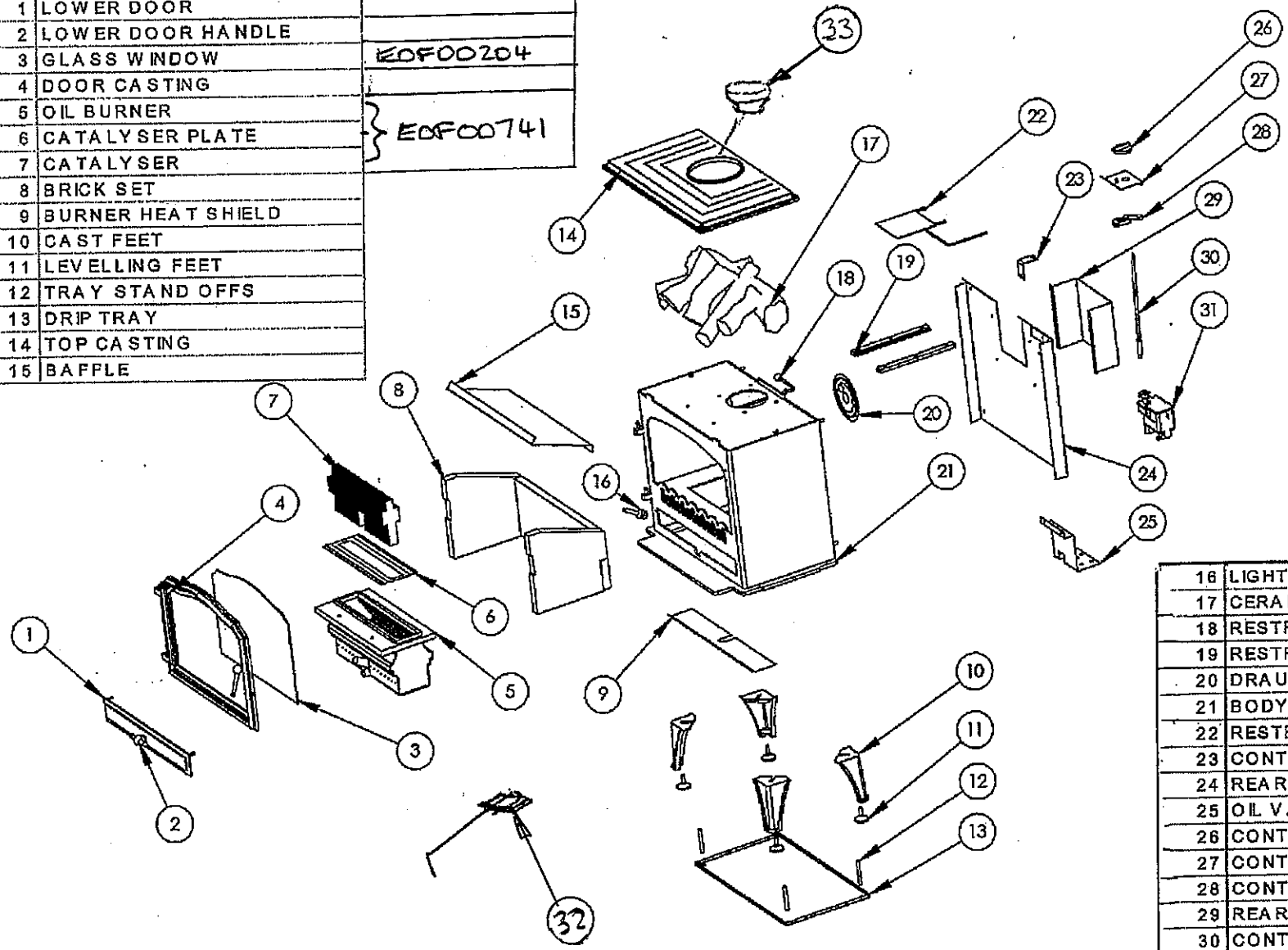


1	LOWER DOOR	
2	LOWER DOOR HANDLE	
3	GLASS WINDOW	EDF00204
4	DOOR CASTING	
5	OIL BURNER	} EDF00741
6	CATALYSER PLATE	
7	CATALYSER	
8	BRICK SET	
9	BURNER HEAT SHIELD	
10	CAST FEET	
11	LEVELLING FEET	
12	TRAY STAND OFFS	
13	DRIP TRAY	
14	TOP CASTING	
15	BAFFLE	



10. SPARE PARTS

16	LIGHTING PLUG	
17	CERAMIC LOG SET	
18	RESTRICTOR PLATE HANDLE	
19	RESTRICTOR PLATE GUIDES	
20	DRAUGHT STABILIZER	
21	BODY ASSEMBLY	
22	RESTRICTOR PLATE	
23	CONTROL ROD GUIDE	
24	REAR HEAT SHIELD	
25	OIL VALVE BRACKET	
26	CONTROL KNOB	
27	CONTROL KNOB PLATE	
28	CONTROL CAM	
29	REAR GUARD	
30	CONTROL ROD	
31	OIL VALVE CONTROL	
32	WICK / WINDER	EDFWICK
33	FLUE SEALING RING	EDFRINGASSY